

# Grounding & Bonding

## Bus Bar

### Wall Mounted

# HUBBELL

#### Features

- Telecommunications Bonding Bus bars offer a convenient and organized bonding surface for collecting stray electrical currents
- Mounting holes are predrilled or tapped for matching with lugs



#### Ordering Information

Style	Mounting	Catalog Number	UPC
TGB	Surface Mount TR	HBBB14412	662620619576

#### Listings

UL  
TIA-607 Compliant

#### Specifications

Material	Copper
Finish	Copper
Insulator	600V

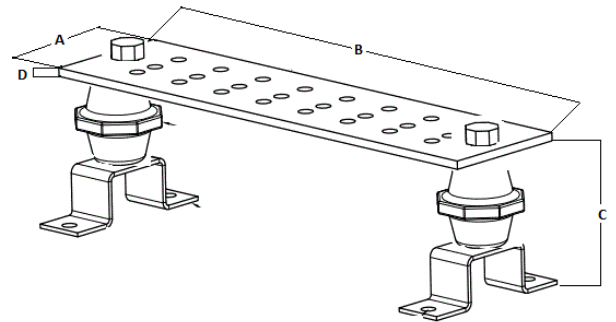
#### Characteristics

##### Installation

D-Lug Mount Quantity	8
----------------------	---

#### Accessories

12' Conductor	HGRKTD144D
20' Conductor	HGRKTX240D
30' Conductor	HGRKTX360D
Ladder Bracket	HGBTEBCBRKL10
Wire Tray Bracket	HGBTEBCBRKW10



#### Dimensions- inches (mm)

A	4"
B	12"
C	2"
D	0.25"

#### Online Resources

Brochure  
Customer Drawing  
eCatalog