

**Raceway**  
**Metal Raceway**  
**HBL500 Series External Elbow**

# HUBBELL

**Features**

- For outside surfaces at right angles.

**Ordering Information**

| Description    | Color | UPC Number   | Catalog Number |
|----------------|-------|--------------|----------------|
| External Elbow | Ivory | 783585216744 | HBL518IV       |

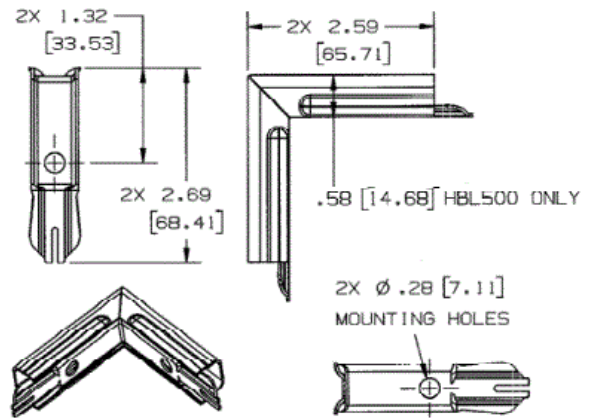


**Listings**

UL Listed  
 CSA Certified

**Specifications**

|        |       |
|--------|-------|
| Height | 0.58" |
| Width  | 2.59" |
| Length | 2.59" |



**Online Resources**

Customer Use Drawing  
 eCatalog  
 Installation Instructions