

# Raceway Metal Raceway Flat Elbow Bend Radius

# HUBBELL

## Features

- For use with HBL500, HBL700 and HBL750 Series Raceway
- For right angle turns requiring a 1.5 in. (38.10) bend radius.
- Suitable for Category 5, 5e, 6 and 6A applications.

## Ordering Information

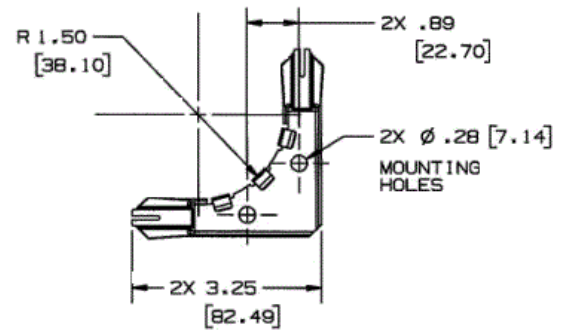
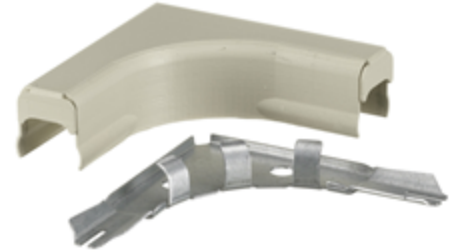
Description	Color	UPC Number	Catalog Number
Flat Elbow Bend Radius	Ivory	783585423050	HBL5711BRIVA

## Listings

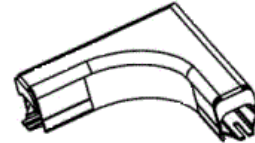
UL Listed  
CSA Certified

## Specifications

Height	0.91"
Width	3.16"
Length	3.16"



NOTE: ALL DIMENSIONS IN INCHES AND [MM]



## Online Resources

Customer Use Drawing  
eCatalog  
Installation Instructions