

**Raceway**  
**Metal Raceway**  
**Round Extension Box (Open Base)**

# HUBBELL

### Features

- For use with HBL500, HBL700 and HBL750 Series Raceway
- 4.75 inches O.D.
- For mounting on 3.25 in. (83.00) or 4 in. (102.00) round or square conduit boxes or other recessed outlets.
- Cover takes any device with mounting screw centers of 2.75 in. (69.85), 3.5 in. (89.00) and 4.06 in. (103.00).



### Ordering Information

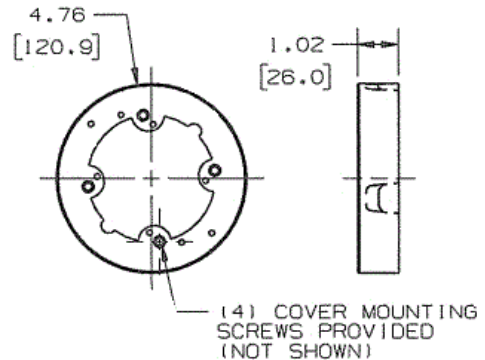
Description	Color	UPC Number	Catalog Number
Round Extension Box (Open Base)	Ivory	783585423234	HBL57371VA

### Listings

UL Listed  
CSA Certified

### Specifications

Height	4.75"
Width	4.75"
Length	1.02"



### Online Resources

Customer Use Drawing  
eCatalog  
Installation Instructions