

Raceway Metal Raceway 1-Gang Shallow Box

HUBBELL

Features

- For use with HBL500, HBL700 and HBL750 Series Raceway
- Hubbell Handi-Screw® eases installation by eliminating difficult to install long screws
- Rounded corners with no sharp edges
- One seam construction provides a “clean” look
- Box design allows standard wallplates to be mounted flush with virtually no perimeter profile exposed

Ordering Information

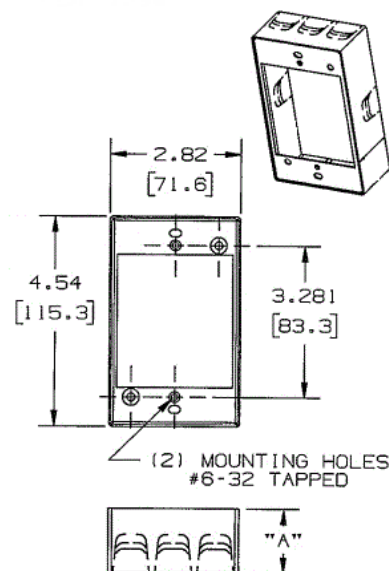
Description	Color	UPC Number	Catalog Number
1-Gang Shallow Box	Ivory	783585423517	HBL57471VA

Listings

UL Listed
CSA Certified

Specifications

Height	4.54"
Width	2.82"
Length	1.38"



Online Resources

Customer Use Drawing
eCatalog
Installation Instructions