

Raceway Metal Raceway Raceway Bender

HUBBELL

Features

- Portable bender for HBL500, HBL700 or HBL750 Series Raceways.

Ordering Information

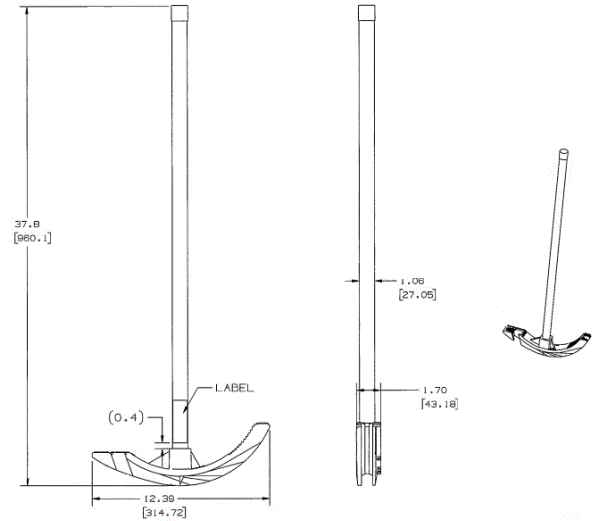
Description	Material	UPC Number	Catalog Number
Raceway Bender	Steel	783585217376	HBL600B

Listings

UL Listed
CSA Certified

Specifications

Height	3'
Width	0.5"
Length	3'



Online Resources

Customer Use Drawing
eCatalog
Installation Instructions