

Raceway  
Metal Raceway  
HBL2400 (D) Series Cutter

# HUBBELL

### Features

- Portable cutter for HBL2400 Series Raceway
- Also for use with HBL2400D series

### Ordering Information

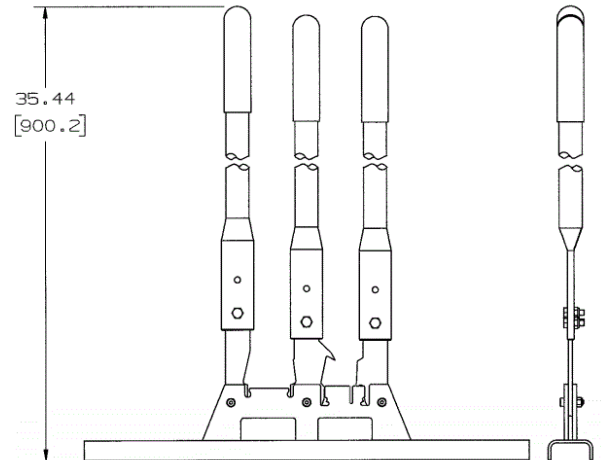
Description	Material	UPC Number	Catalog Number
Cutter	Steel	783585341460	HBL624CUT

### Listings

UL Listed  
CSA Certified

### Specifications

Height	3'
Width	0.5"
Length	3'



### Online Resources

Customer Use Drawing  
eCatalog  
Installation Instructions