

Raceway  
Metal Raceway

HBL3000 Series Replacement Blade Cutter  
and Die Set

# HUBBELL

**Features**

- Replacement Blade for HBL630B
- Base cutting blade only

**Ordering Information**

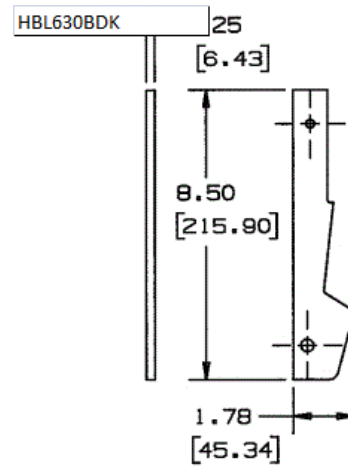
Description	Material	UPC Number	Catalog Number
Replacement Blade Cutter and Die Set	Stainless Steel	783585217451	HBL630BDK

**Listings**

UL Listed  
CSA Certified

**Specifications**

Height	0.5"
Width	2.00"
Length	0.1"



**Online Resources**

Customer Use Drawing  
eCatalog  
Installation Instructions