

Raceway
Metal Raceway
HBL4750 Series Base Cutter



Features

- Portable cutter for HBL4750 Series Raceway Base

Ordering Information

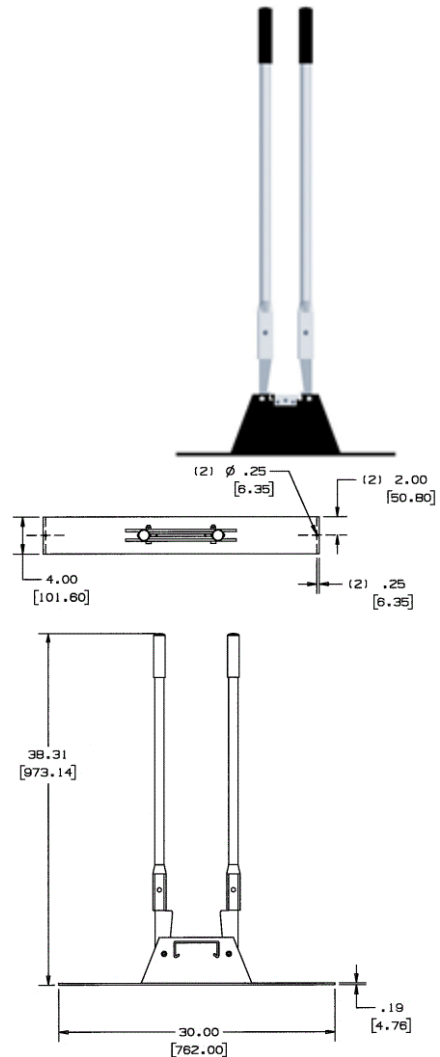
Description	Material	UPC Number	Catalog Number
Base Cutter	Steel	783585217482	HBL640B

Listings

UL Listed
 CSA Certified

Specifications

Height	3'
Width	0.5"
Length	3'



Online Resources

- Customer Use Drawing
- eCatalog
- Installation Instructions

