

Raceway
Metal Raceway
HBL6750 Series Base Cutter

HUBBELL

Features

- Portable cutter for HBL6750 Series Raceway Base

Ordering Information

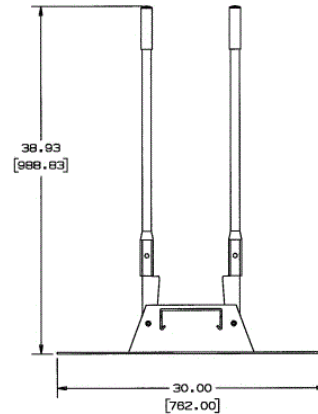
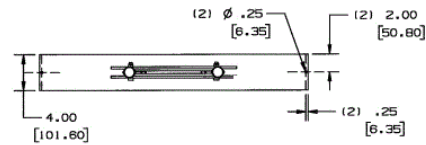
Description	Material	UPC Number	Catalog Number
Base Cutter	Steel	783585217529	HBL660B

Listings

UL Listed
CSA Certified

Specifications

Height	3'
Width	0.5"
Length	3'



Online Resources

Customer Use Drawing
eCatalog
Installation Instructions