

Raceway  
Metal Raceway  
HBL6750 Series 6-Gang Plate

# HUBBELL

## Features

- Four Duplex Openings, Two Ortronics® Series II® Mini Adapter Bezels
- For 15A and 20A duplex receptacles and duplex communication frames shown on page R-45.
- Includes two Ortronics® Series II® Mini Adapter Bezels.
- Includes Mounting Bracket

## Ordering Information

Description	Material	UPC Number	Catalog Number
6-Gang Plate	Steel	783585217925	HBL67473BBBBSSIV

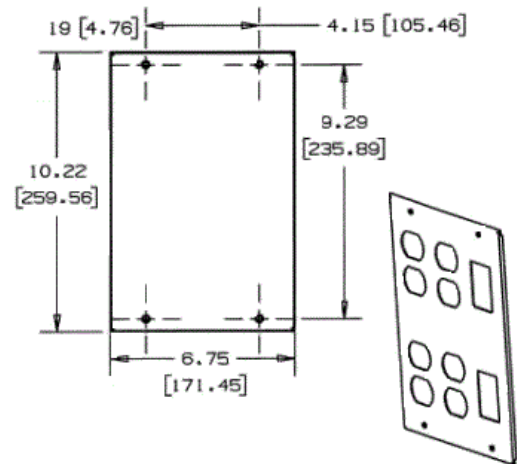
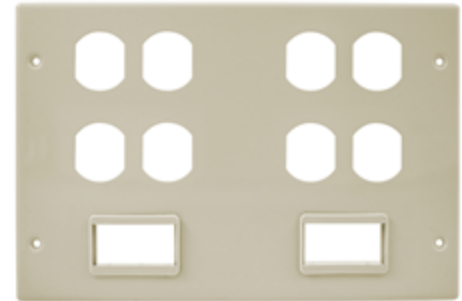
Color  
Ivory

## Listings

UL Listed  
CSA Certified

## Specifications

Height	6.75"
Width	10.22"
Length	0.2"



## Online Resources

Customer Use Drawing  
eCatalog  
Installation Instructions