

**Raceway**  
**Metal Raceway**  
**HBL6750 Series 6-Gang Plate**

# HUBBELL

### Features

- Four Duplex Openings, Two Ortronics® TracJack® Mini Adapter Bezels
- For 15A and 20A duplex receptacles and duplex communication frames shown on page R-45.
- Includes two Ortronics® TracJack® Mini Adapter Bezels.
- Includes Mounting Bracket

### Ordering Information

Description	Material	UPC Number	Catalog Number
6-Gang Plate	Steel	783585217949	HBL67473BBBBTIV

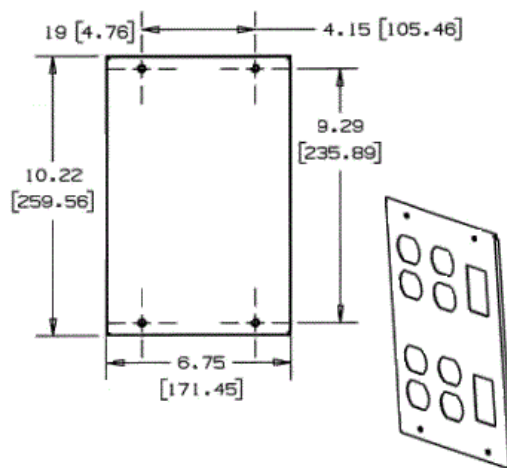
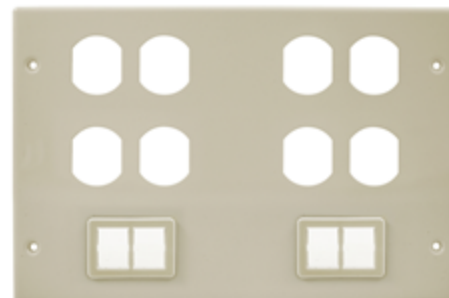
**Color**  
Ivory

### Listings

UL Listed  
CSA Certified

### Specifications

Height	6.75"
Width	10.22"
Length	0.2"



### Online Resources

Customer Use Drawing  
eCatalog  
Installation Instructions