

Raceway
Metal Raceway
HBL6750 Series 6-Gang Plate

HUBBELL

Features

- Four Style Line® Openings, Two Blanks
- For four Style Line rectangular receptacles, GFCI, surge devices and rectangular communication frames shown on page R-45.
- Includes Mounting Bracket

Ordering Information

Description	Material	UPC Number	Catalog Number
6-Gang Plate	Steel	783585217987	HBL67473RRRRXXIV

Color

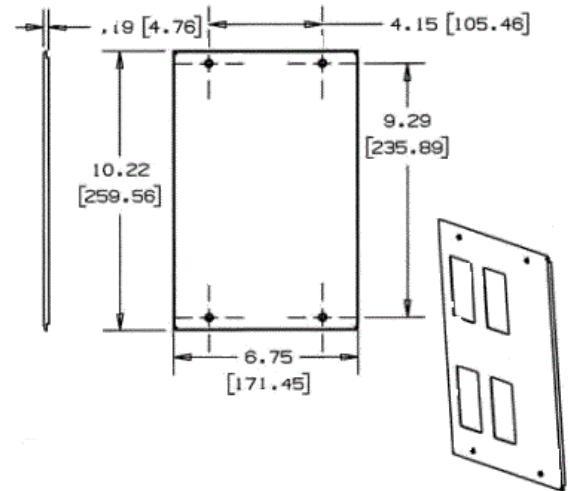
Ivory

Listings

UL Listed
CSA Certified

Specifications

Height	6.75"
Width	10.22"
Length	0.2"



Online Resources

Customer Use Drawing
eCatalog
Installation Instructions