

Raceway
Metal Raceway
HBL6750 Series 3-Gang Plate

HUBBELL

Features

- One Duplex Opening, Two Style Line® Openings
- For 15A and 20A duplex receptacles and duplex communication plates
- Includes Style Line openings for rectangular receptacles, GFCI, surge devices and rectangular communication frames shown on page R-45.
- Includes Mounting Bracket

Ordering Information

Description	Material	UPC Number	Catalog Number
3-Gang Plate	Steel	783585219035	HBL6747BRRGY

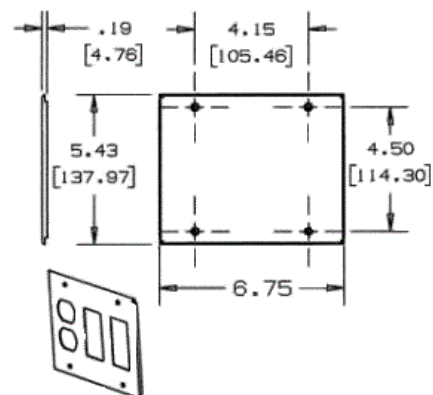
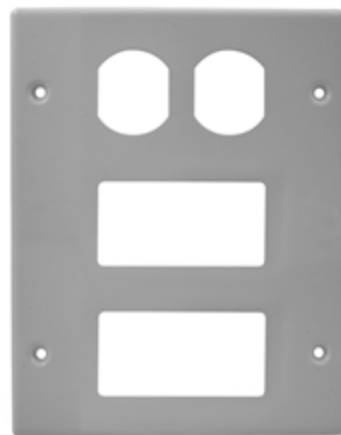
Color
Gray

Listings

UL Listed
CSA Certified

Specifications

Height	6.75"
Width	5.43"
Length	0.2"



Online Resources

Customer Use Drawing
eCatalog
Installation Instructions