

Raceway  
Metal Raceway  
HBL6750 Series 3-Gang Plate

# HUBBELL

## Features

- One Duplex Opening, Two Blanks
- For 15A and 20A duplex receptacles and duplex communication plates.
- Includes Mounting Bracket

## Ordering Information

Description	Material	UPC Number	Catalog Number
3-Gang Plate	Steel	783585218090	HBL6747BXXGY

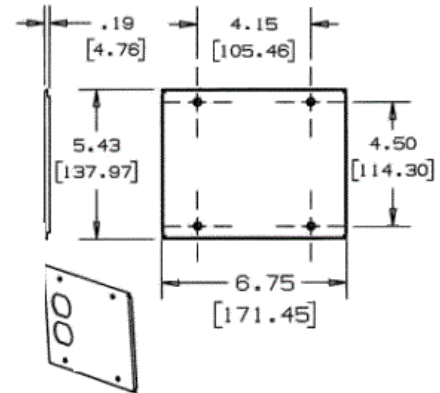
**Color**  
Gray

## Listings

UL Listed  
CSA Certified

## Specifications

Height	6.75"
Width	5.43"
Length	0.2"



## Online Resources

Customer Use Drawing  
eCatalog  
Installation Instructions