

Raceway
Metal Raceway
HBL6750 Series 3-Gang Plate

HUBBELL

Features

- One Opening for 2-Gang Commercial Device Plate, One Blank
- Use with commercially available 2-gang flush plates.
- See page R-45 for plate options.

Ordering Information

Description	Material	UPC Number	Catalog Number
3-Gang Plate	Steel	783585218137	HBL6747C2GY

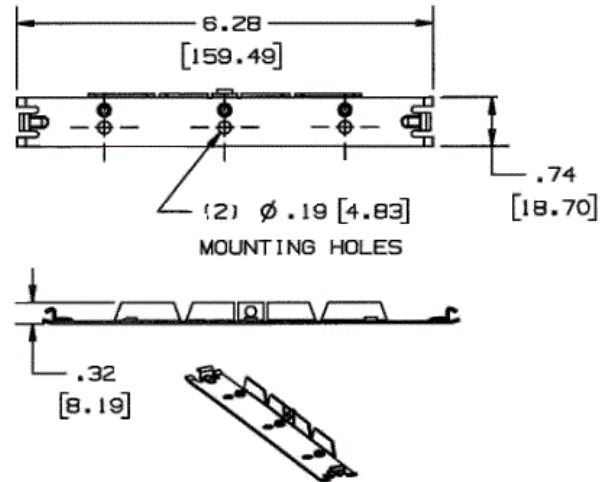
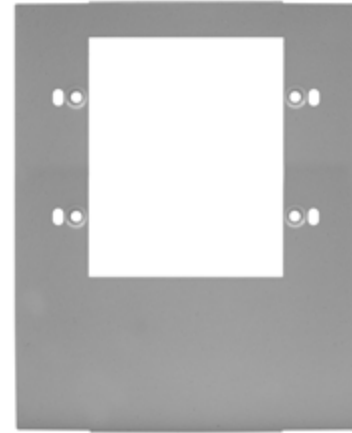
Color
Gray

Listings

UL Listed
CSA Certified

Specifications

Height	6.75"
Width	5.43"
Length	0.2"



Online Resources

Customer Use Drawing
eCatalog
Installation Instructions