

Raceway
Metal Raceway
HBL6750 Series 3-Gang Plate

HUBBELL

Features

- One Single Round Opening, Two Blanks
- For single receptacle with face diameter of 1.56 in. to 1.58 in. (39.62 to 40.13).
- Includes Mounting Bracket

Ordering Information

Description	Material	UPC Number	Catalog Number
3-Gang Plate	Steel	783585218168	HBL6747JXXIV

Color

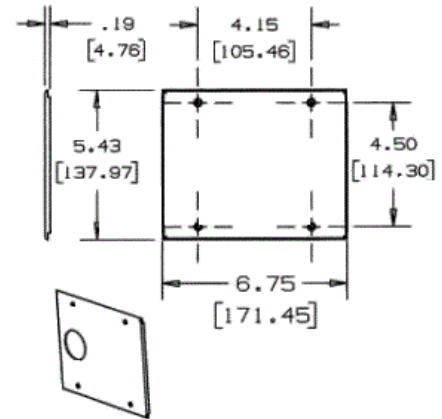
Ivory

Listings

UL Listed
CSA Certified

Specifications

Height	6.75"
Width	5.43"
Length	0.2"



Online Resources

Customer Use Drawing
eCatalog
Installation Instructions