

Raceway
Metal Raceway
HBL6750 Series 3-Gang Plate

HUBBELL

Features

- Two Style Line® Openings, One Modular Furniture
- For two Style Line rectangular receptacles, GFCI, surge devices and rectangular communication frames shown on page R-45.
- Includes modular furniture with two keystone twistouts.
- Includes Mounting Bracket

Ordering Information

Description	Material	UPC Number	Catalog Number
3-Gang Plate	Steel	783585218182	HBL6747RRFIV

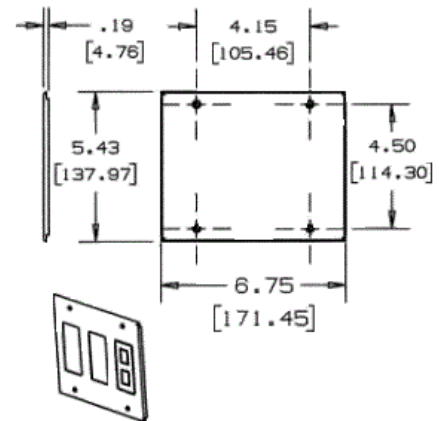
Color
Ivory

Listings

UL Listed
CSA Certified

Specifications

Height	6.75"
Width	5.43"
Length	0.2"



Online Resources

Customer Use Drawing
eCatalog
Installation Instructions