

Raceway
Aluminum Raceway
HBLALU2000 Series 2-Gang Device Box

HUBBELL

Features

- For standard switches and receptacles.

Ordering Information

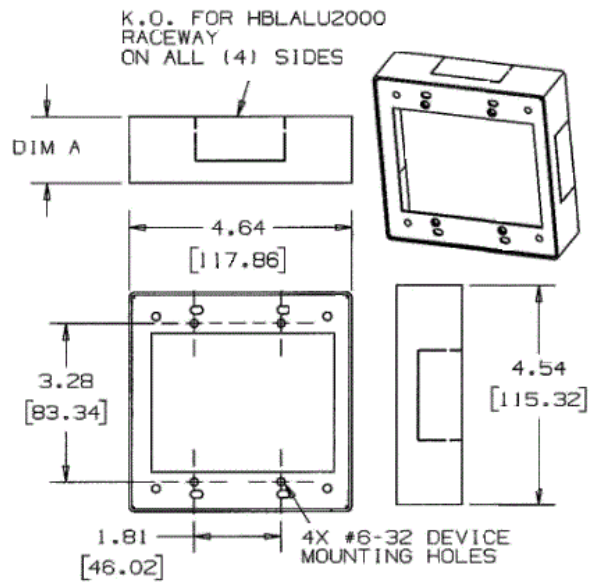
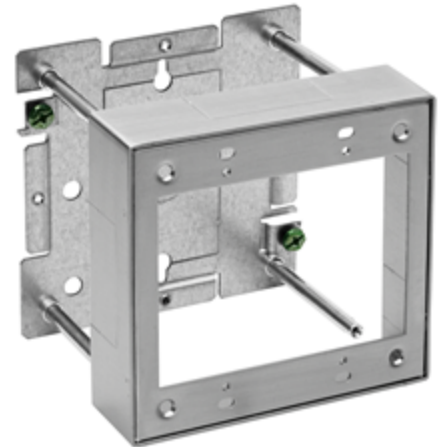
Description	Material	UPC Number	Catalog Number
2-Gang Device Box	Anodized Aluminum	783585110738	HBLALU20472

Listings

UL Listed
 CSA Certified

Specifications

Height	4.54"
Width	4.64"
Length	1.38"



Online Resources

Customer Use Drawing
 eCatalog
 Installation Instructions