

Raceway
Aluminum Raceway
HBLALU3800 and HBLALU4800 Series
Single Receptacle Cover

HUBBELL

Features

- Base Mounted Device
- For single receptacle with face diameters of 1.38 in. to 1.39 in. (35.05 to 35.31).

Ordering Information

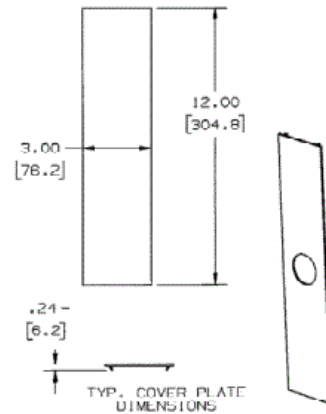
Description	Material	UPC Number	Catalog Number
Single Receptacle Cover	Anodized Aluminum	783585113463	HBLALU34EBM

Listings

UL Listed
CSA Certified

Specifications

Height	3.00"
Width	12.00"
Length	0.20"



Online Resources

Customer Use Drawing
eCatalog
Installation Instructions