

**Raceway**  
**Aluminum Raceway**  
**HBLALU7620 Series Entrance End Fitting**

# HUBBELL

**Features**

- For feeding raceway, has concentric 1/2 in. and 3/4 in. trade size KOs.

**Ordering Information**

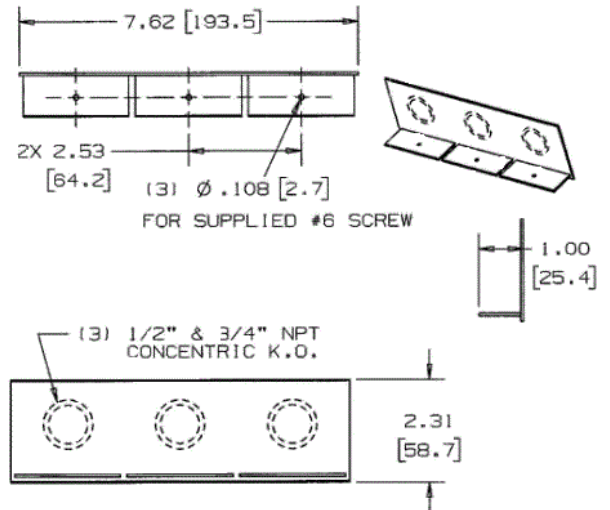
Description	Material	UPC Number	Catalog Number
Entrance End Fitting	Anodized Aluminum	783585111087	HBLALU7610B2

**Listings**

UL Listed  
 CSA Certified

**Specifications**

Height	2.31"
Width	7.62"
Length	0.20"



**Online Resources**

Customer Use Drawing  
 eCatalog  
 Installation Instructions