

Grounding & Bonding Terminal Lay-In Lug

HUBBELL

Features

- Lay in lug provide an easy to install bonding device for grounding conductors

Ordering Information

| Qty | Mount | Catalog Number | UPC Number |
|-----|----------------------------|----------------|--------------|
| 100 | Perpendicular to Conductor | HGBCL501 | 662620303055 |

Listings

UL
TIA-607 Compliant

Specifications

| | |
|----------|--------|
| Material | Copper |
| Finish | Copper |

Characteristics

Installation

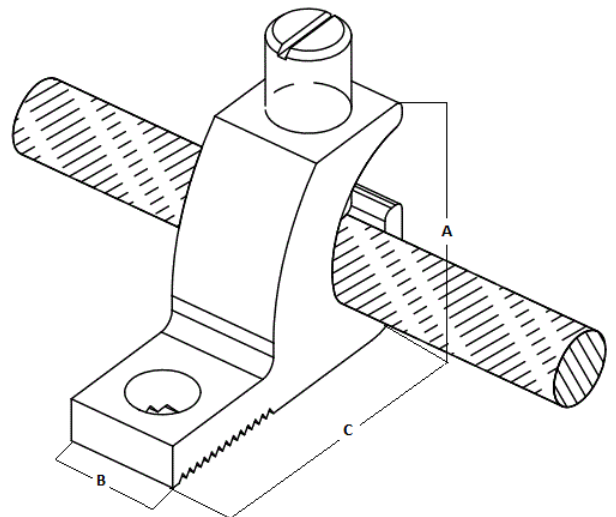
| | |
|--------------|-----|
| Max Wire AWG | #4 |
| Min Wire AWG | #14 |

Accessories

| | |
|-------------------|---------------|
| 12' Conductor | HGRKTD144D |
| 20' Conductor | HGRKTX240D |
| 30' Conductor | HGRKTX360D |
| Ladder Bracket | HGBTEBCBRKL10 |
| Wire Tray Bracket | HGBTEBCBRKW10 |

Online Resources

Brochure
Customer Drawing
eCatalog



Dimensions- inches (mm)

| | |
|---|-----------|
| A | 0.8" (20) |
| B | 0.4" (10) |
| C | 1.1" (28) |