

# Grounding & Bonding Terminal Lay-In Lug

# HUBBELL

## Features

- Lay in lug provide an easy to install bonding device for grounding conductors

## Ordering Information

Qty	Mount	Catalog Number	UPC Number
100	Parallel to Conductor	HGBKA6U	662620305462



## Listings

UL  
TIA-607 Compliant

## Specifications

Material	Aluminum
Finish	Aluminum

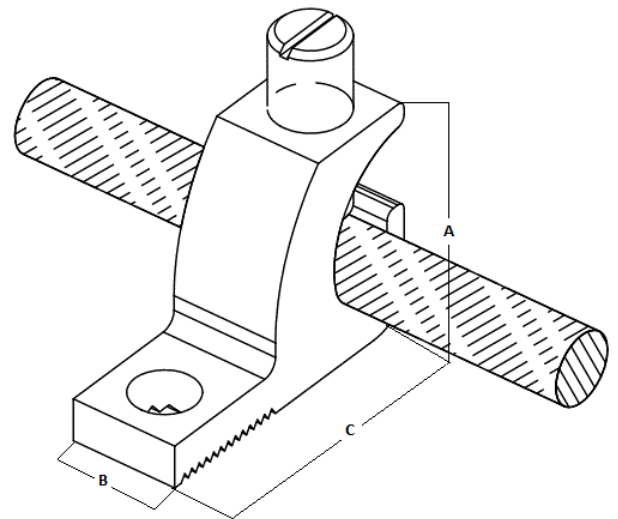
## Characteristics

### Installation

Max Wire AWG	#6
Min Wire AWG	#14

## Accessories

12' Conductor	HGRKTD144D
20' Conductor	HGRKTX240D
30' Conductor	HGRKTX360D
Ladder Bracket	HGBTEBCBRKL10
Wire Tray Bracket	HGBTEBCBRKW10



## Dimensions- inches (mm)

A	0.5" (13)
B	0.5" (13)
C	1.1" (28)

## Online Resources

Brochure  
Customer Drawing  
Customer Use Drawing  
eCatalog