

Grounding & Bonding Compression Device Compression Lug

HUBBELL

Features

- Long barrel compression lugs are the best solution for building a low-resistance bond
- HPW lugs are die index traceable when using a properly sized die for compression
- Lugs are tin plated and have an inspection window to ensure that the conductor is fully inserted



Ordering Information

Gauge #2	Mounting 1/4" ID	Catalog Number HGBL02S	UPC Number 662620310428
----------	------------------	------------------------	-------------------------

Listings

UL
TIA-607 Compliant

Specifications

Material	Copper
Surface Finish	Tin Plated
Barrel	Long
Inspection Window	Yes

Characteristics

Voltage Rating

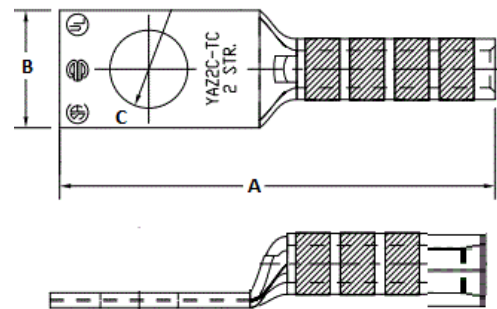
10	UL Listed
600V to 35 kV	Die Index

Accessories

Die	HU2CRT
Die	HW2CRT
6 Ton Power Tool	HPAT600LI
12 Ton Power Tool	HPAT750LI
12' Conductor	HGRKTDA144D

Online Resources

Brochure
Customer Use Drawing
eCatalog



Dimensions- inches (mm)

A	2.2" (56)
B	0.6" (15)
C	0.3" (8)