

Grounding & Bonding Bus Bar Wall Mounted Kit

HUBBELL

Features

- Telecommunications Bonding Bus bars offer a convenient and organized bonding surface for collecting stray electrical currents
- Mounting holes are predrilled or tapped for matching with lugs
- Kits contain a small assortment of lugs for a single solution for any room BOM

Ordering Information

Style	Mounting	Catalog Number	UPC Number
TMGB	Surface Mount ER & EF	HGRKTTMGB16	662620331645

Listings

UL
TIA-607 Compliant

Specifications

Material	Copper
Finish	Copper
Insulator	600V
Lugs Included	Qty-1 #6, Qty-1 #2, Qty-2 2/0, Qty-1 4/0
Hardware	Stainless Steel

Characteristics

Installation

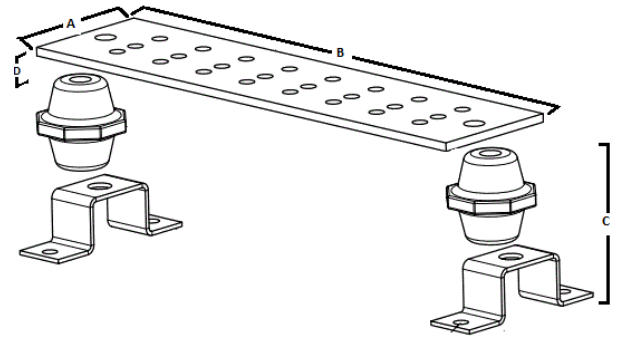
DA-Lug Mount Quantity	8
DB-Lug Mount Qty	8

Accessories

12' Conductor	HGRKTDA144D
20' Conductor	HGRKTX240D
30' Conductor	HGRKTX360D
Ladder Bracket	HGBTEBCBRKL10
Wire Tray Bracket	HGBTEBCBRKW10

Online Resources

Brochure
Customer Drawing
Customer Use Drawing
eCatalog



Dimensions- inches (mm)

A	4" (102)
B	16" (406)
C	3.75" (95)
D	0.25" (6)