

HI-Impact Cast Aluminum Weatherproof Device Box with Lugs

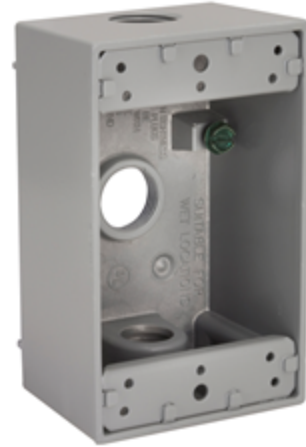
HUBBELL

Features

- NEMA 3R Environmental Protection
- 1/2" Conduit Hub

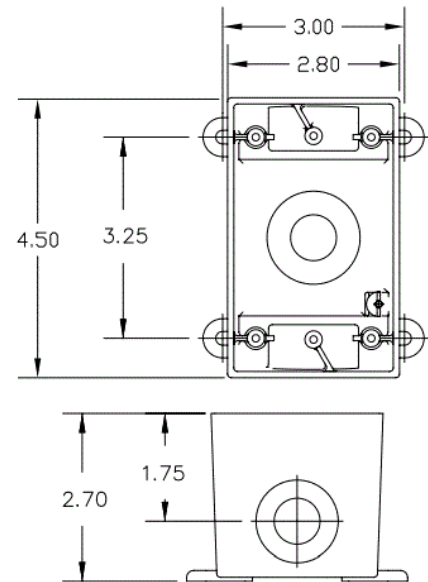
Ordering Information

Description	Color	Catalog Number	UPC
HI-Impact Cast Aluminum Weatherproof Device Box with Lugs, 1/2" Knockout	Gray	HIWP05GY	662620856797



Specifications

Knockout	1/2"
----------	------



Online Resources

Customer Use Drawing
eCatalog