

- Third Party Verified Category 6A Component Compliant
- Exclusive 1-Punch Termination Reduces Termination Time by 75%
- PoE+ Ready
- Bulk Packaging Reduces Excess Waste on the Job

Features

- IDC towers have an inner blade to assist in pair splitting without performance disruption.
- Locking IDC stuffer cap ensures termination retention
- Small form factor allows more jacks in devices without restriction or constraint.

Ordering Information

| Description | Color | UPC # | Catalog No. |
|--|--------|--------------|-------------|
| Cat 6A Keystone RJ45 Jack, 110 Termination | Almond | 662620214214 | HJ6AAL25 |

Listings

ANSI/TIA/EIA-568-C.2 category 6A component
 ISO 11801/60603-7 Category 6A component
 IEE 802.3an 10 Gigabit Ethernet Transmission
 IEE 802.3at PoE+ Power over Ethernet
 Mechanical TIA-568-C.2
 UL Listed 1863

Specifications

| | |
|--------------|--|
| Nose Contact | Beryllium copper with precious metal plating with nickel under-plating |
| IDC Contact | Phosphor bronze with 100 micro-inch tin lead 60/40 plating over nickel under plating |
| Housing | High impact thermoplastic (UL 94 V-0) |

Performance

Application
 10GBASE-T (10-Gigabit Ethernet)
 10/100/1000BASE-T

Electrical

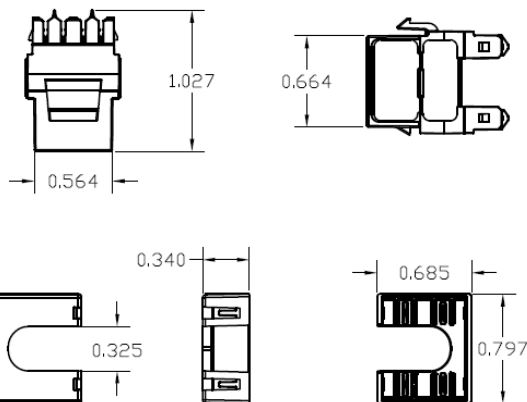
4.5db min NEXT margin over TIA 568-C.2 component at 500MHz
 1.5 dB min NEXT margin over ISO component
 Designed and tested for 850mA of continuous current per conductor (1.7A per pair).
 Enhanced common mode design eliminates residual and reflected NEXT and ANEXT

Mechanical

Contact performance confirmed over the full range of ISO/FCC compliant plug dimensions
 Nose contact mating cycles: 2000
 IDC contact termination: 10X
 Keystone latching force: 25 lbs.

Miscellaneous

HJ6Axx Jacks are not compatible with RJ11, RJ14 or RJ25 6-position plugs
 Icon Compatible Supporting 606-B requirements
 Backward Compatible to Category 6, & 5e
 100% factory tested.



Accessories

| | |
|-------------------------|----------|
| 1-punch tool | TX4P6A |
| Ascent termination puck | HJTP6A25 |
| Dust Cover | HXJDC25 |

Resources

Customer Drawings
 eCatalog
 Specification Text Division 17