

- Third Party Verified Category 6A Component Compliant
- Exclusive 1-Punch Termination Reduces Termination Time by 75%
- PoE+ Ready
- Bulk Packaging Reduces Excess Waste on the Job

**Features**

- IDC towers have an inner blade to assist in pair splitting without performance disruption.
- Locking IDC stuffer cap ensures termination retention
- Small form factor allows more jacks in devices without restriction or constraint.

**Ordering Information**

Description	Color	UPC #	Catalog No.
Cat 6A Keystone RJ45 Jack, 110 Termination	Purple	662620214047	HJ6AP

**Listings**

ANSI/TIA/EIA-568-C.2 category 6A component  
 ISO 11801/60603-7 Category 6A component  
 IEE 802.3an 10 Gigabit Ethernet Transmission  
 IEE 802.3at PoE+ Power over Ethernet  
 Mechanical TIA-568-C.2  
 UL Listed 1863

**Specifications**

Nose Contact	Beryllium copper with precious metal plating with nickel under-plating
IDC Contact	Phosphor bronze with 100 micro-inch tin lead 60/40 plating over nickel under plating
Housing	High impact thermoplastic (UL 94 V-0)

**Performance**

**Application**  
 10GBASE-T (10-Gigabit Ethernet )  
 10/100/1000BASE-T

**Electrical**

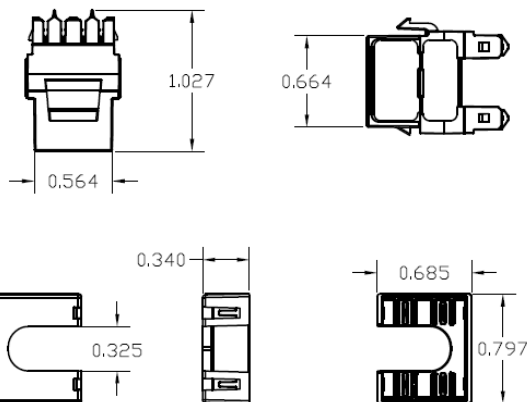
4.5db min NEXT margin over TIA 568-C.2 component at 500MHz  
 1.5 dB min NEXT margin over ISO component  
 Designed and tested for 850mA of continuous current per conductor (1.7A per pair).  
 Enhanced common mode design eliminates residual and reflected NEXT and ANEXT

**General Information**

HJ6Axx Jacks are not compatible with RJ11, RJ14 or RJ25 6-position plugs  
 Icon Compatible Supporting 606-B requirements  
 Backward Compatible to Category 6, & 5e  
 100% factory tested.

**Mechanical**

Contact performance confirmed over the full range of ISO/FCC compliant plug dimensions  
 Nose contact mating cycles: 2000  
 IDC contact termination: 10X  
 Keystone latching force: 25 lbs.



**Accessories**

1-punch tool	TX4P6A
Ascent termination puck	HJTP6A25
Dust Cover	HXJDC25

**Resources**

Customer Drawings  
 eCatalog  
 Specification Text Division 17