

NEXTSPEED®

Jacks

# HUBBELL

## Ascent Category 6A Jack

### Features

- Third Party Verified Category 6A Component Exceeds TIA and ISO Limits
- Exclusive 1-Punch Termination Reduces Termination Time by 75%
- Qualified to 150% of 802.3bt PoE Current Level
- Bulk and Green Packaging Reduces Excess Waste on the Job

### Ordering Information

Description	Color	Catalog No.	UPC
NEXTSPEED Ascent Category 6A Component Jack, 1 Jack	Red	HJ6AR	662620213996

### Listings

ANSI/TIA/EIA-568-C.2 Category 6A component  
 ISO 11801/60603-7-41 Category 6A component  
 Mechanical: Verified to TIA-568-C.2  
 UL Listed 1863  
 Mechanical TIA-568-C.2  
 RoHS Compliant

### Specifications

Nose Contact	Beryllium copper with precious metal plating with nickel under-plating
IDC Contact	Phosphor bronze with 100 micro-inch tin lead 60/40 plating over nickel under plating
Housing	High impact thermoplastic (UL 94 V-0)
Packaging	Carton 100% recycled material - bag 85% recycled material

### Performance

#### Electrical

4.5db min NEXT margin over TIA 568-C.2 component at 500MHz  
 1.5 dB min NEXT margin over ISO component  
 Qualified to 150% of 802.3bt PoE Current Level  
 Enhanced common mode design eliminates residual and reflected NEXT and ANEXT

#### General Information

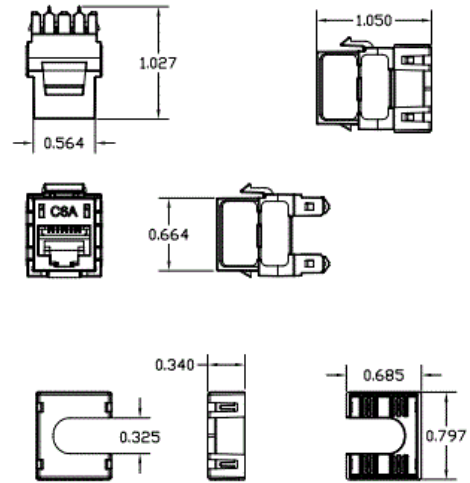
Backward compatible to Category 6, & 5e  
 Icon Compatible Supporting 606-B requirements  
 HJ6Axx Jacks are not compatible with RJ11, RJ14 or RJ25 6-position plugs  
 100% factory tested

#### Mechanical

Nose Contact Mating Cycles: 2000  
 IDC Contact Termination: 10x  
 Keystone Latching Force: 25 lbs.  
 Contact performance confirmed over the full range of ISO/FCC compliant plug

### Applications

IEEE 802.3an 10GBASE-T  
 IEEE 802.3bt 4PPoE Power over Ethernet  
 IEEE 802.11ac and IEEE 802.11ax WAP Deployments



### Accessories

1-Punch Tool	TX4P6A
Category 6A Patch Cord	HC6AR03
Dust Cover	HXJDC25
Ascent Termination Puck	HJTP6A25
Category 6A Cable	C6ASPB

### Online Resources

Customer Use Drawing  
 eCatalog

