

Jack

Category 6 Shielded Jack with Cobra-Lock™ Termination

HUBBELL

- Third Party Verified Category 6 Component
- Cobra-Lock Termination Reduces Termination Time by Over 75%
- Wires Secured Under Constant Compression
- Easily Re-Terminate
- Qualified to 150% of 802.3bt PoE Current Level

Ordering Information

Description	Qty	Color	UPC Number	Catalog Number
NEXTSPEED Category 6 Shielded Jack with Cobra-Lock Termination	1	Gray	662620662107	HJS6GY

Listings

ANSI/TIA/EIA-568 Category 6 component

UL 1863 - Communications-Circuit Accessory

UL 2043 - Suitable for Air-Handling Spaces

RoHS Compliant

IEC60512-99-002 for de-matting endurance under PoE load

Specifications

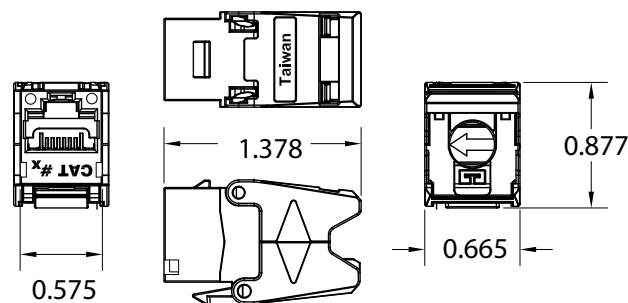
Nose Housing Material	Zinc die-cast
Rear Housing Material	Zinc die-cast
Nose Contacts	Copper Alloy with Gold Over Plating
IDC Contacts	Phosphor bronze with 100 micro-inch tin over plating
Dimensions in (mm) (H x W x D)	0.87 (22) x 0.67 (17) x 1.39 (35)
Wire Compatibility	24-22 AWG Solid

Performance

Electrical Performance	TIA Component Compliant
Withstand Voltage	1,000 Vac @ 60 Hz
PoE Support	3rd Party Tested to IEC60512-99-002 for POE disconnection endurance
Plug Mating Cycles	750 Minimum
IDC Re-termination Cycles	25 Maximum
Plug Compatibility	RJ-11 to 45
Testing	100% Factory Tested
Backward Compatibility	Cat5e and Cat6

Accessories

Description	Catalog Number
HJS Series Color Face, 100-Pack, Gray	SJFGY
Riser C6A FTP Cable	C6AFTSPGY
Plenum C6A FTP Cable	C6AFTPSRGY
Shielded C6A Patch Cord	PC6AGY10
RJ-45 Security Port Blocker, 25 pack	HXJDC25



Resources

Customer Drawings

eCatalog page

