

HLS Ladder Tray Installation Accessory

Ceiling Mount Kit

Features

- HLS Ladder Tray is a modular system that is easily configured for all unique installations
- Ladder tray sections universally work with all ladder tray accessories
- HLS Ladder feature rung spacing every 9" to support and relieve cable stress

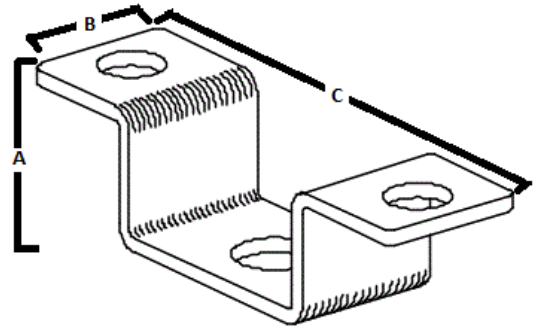
Ordering Information

Color	Hardware	Catalog Number	UPC Number
Black	Included	HLCMK	662620819891



Specifications

Material	Steel
Gauge	12
Finish	Black
Threaded Rod OD	5/8"
Threaded Rod Length	6'



Accessories

Protective End Caps	HLCEPK2
Cable Waterfall, 6"	HLCD06
Retaining Post, 6", Black	HLP06B
Black Velcro Roll	HVFBK575
9" Velcro Strips, Yellow	MCCMV9YL10

Dimensions- inches (mm)

A	1.1" (28)
B	1.25" (32)
C	4.3" (109)

Online Resources

Brochure
Customer Drawing
Customer Use Drawing
eCatalog

HUBBELL