

## HLS Ladder Tray Tray Section

### 90 Deg Outside Radius

#### Features

- HLS Ladder Tray is a modular system that is easily configured for all unique installations
- Ladder tray sections universally work with all ladder tray accessories
- HLS Ladder feature rung spacing every 9" to support and relieve cable stress

#### Ordering Information

Width	Type	Catalog Number	UPC Number
18"	90 Deg Outside Bend	HLO1890G	662620819716

#### Specifications

Material	Steel
Gauge	16
Construction	Tubing
Finish	Gray
Radius	10"

#### Performance

Weight Capacity	45 lbs/ft
-----------------	-----------

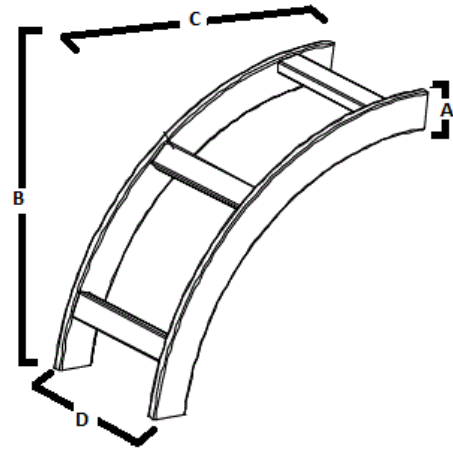
#### Accessories

Protective End Caps	HLCEPK2
Cable Waterfall, 6"	HLCD06
Retaining Post, 6", Gray	HLP06G
Black Velcro Roll	HVFBK575
9" Velcro Strips, Yellow	MCCMV9YL10

#### Online Resources

Brochure  
Customer Drawing  
Customer Use Drawing  
eCatalog

# HUBBELL



#### Dimensions- inches (mm)

A	1.5" (38)
B	11.5" (292)
C	11.5" (292)
D	18" (457)