

HLS Ladder Tray Tray Section

HUBBELL

90 Deg Outside Radius

Features

- HLS Ladder Tray is a modular system that is easily configured for all unique installations
- Ladder tray sections universally work with all ladder tray accessories
- HLS Ladder feature rung spacing every 9" to support and relieve cable stress

Ordering Information

| Width | Type | Catalog Number | UPC Number |
|-------|---------------------|----------------|--------------|
| 24" | 90 Deg Outside Bend | HLO2490B | 662620820224 |

Specifications

| | |
|--------------|--------|
| Material | Steel |
| Gauge | 16 |
| Construction | Tubing |
| Finish | Black |
| Radius | 10" |

Performance

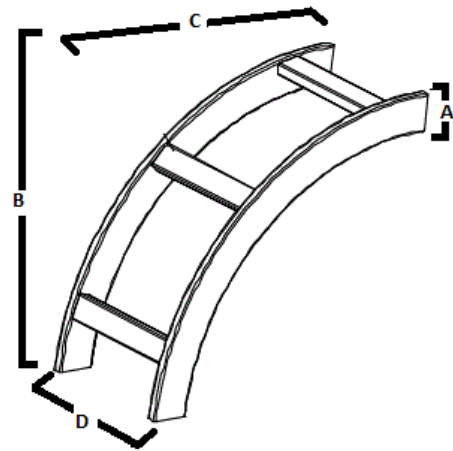
| | |
|-----------------|-----------|
| Weight Capacity | 45 lbs/ft |
|-----------------|-----------|

Accessories

| | |
|---------------------------|-------------------|
| Protective End Caps | HLCEPK2 |
| Cable Waterfall, 6" | HLCD06 |
| Retaining Post, 6", Black | HLP06B |
| Black Velcro Roll | HVFBK575 |
| 9" Velcro Strips, Yellow | MCCMV9YL10 |

Online Resources

Brochure
Customer Drawing
Customer Use Drawing
eCatalog



Dimensions- inches (mm)

| | |
|---|-------------|
| A | 1.5" (38) |
| B | 11.5" (292) |
| C | 11.5" (292) |
| D | 24" (610) |