

**NEXTSPEED**

## Ascent Category 6A Component

### Patch Panel

#### Features

- 4.5dB Min NEXT Margin @ 500MHz Over TIA Component Specifications
- Short Links (Less than 10M) Supported
- Qualified to 150% of 802.3bt PoE Current Level
- Continuous Third Party Verification Program

#### Ordering Information

Description	Color	Catalog Number	UPC
NEXTSPEED Ascent Category 6A Patch Panel, 48-Port, 2 Rack Units	White	HP6A48W	662620247526

#### Listings

TIA-568-C.2 Category 6A component  
ISO/IEC 11801/60603-7-41 6A component  
Third Party tested for TIA 568-C.2 requirements. Component/link/channel Category 6A and ISO/IEC 11801 Class EA  
Mechanical: Verified to TIA-568-C.2  
UL Listed 1863, UL 94 V-0 Flammability Rating ISO9001-2008 manufacturing process

#### Specifications

Nose Contact Material	Beryllium copper with precious metal plating with nickel under-plating
Rear IDC Contact	Phosphor bronze with 100 micro-inch lead free tin over nickel plating
Panel Material	14 gauge steel rolled-edge construction
Dimensions (W x H) Inch (mm)	19 (483) x 3.50 (89)
CEA-310-E	Dimensions and mounting holes per CEA-310-E

#### Performance

##### Electrical

4.5dB NEXT margin over TIA 568-C.2 component at 500MHZ  
1.5dB NEXT margin over ISO/IEC 11801 6A component requirements at 500MHZ  
Designed and tested for 1.5A of continuous current per pair  
Enhanced common mode design eliminates residual and reflected NEXT and ANEXT

##### General Information

Manufacturing: 100% factory tested  
Universal wiring (T568A or T568B)  
Integrated labeling and icon slots for 606-B compliance

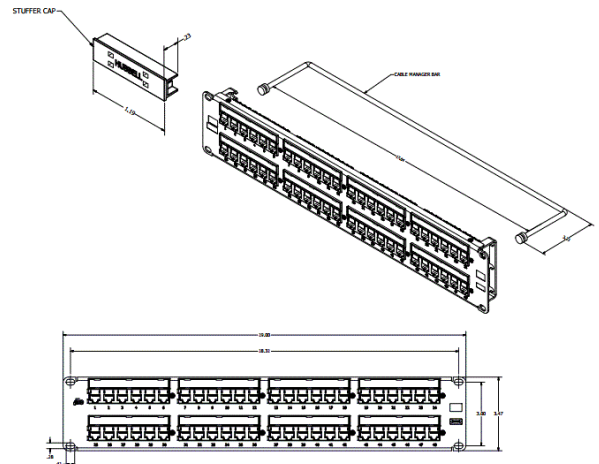
##### Mechanical

Mating Cycle: 2000+ with FCC 8-position plug

#### Applications

IEEE 802.3an 10GBASE-T  
IEEE 802.3bt 4PPoE Power over Ethernet  
Suitable for links 2-90M  
IEEE 802.11ac and IEEE 802.11ax WAP deployments  
Backwards compatible with Category 5E and 6 hardware and applications

# HUBBELL



#### Accessories

Category 6A Component Jack	HJ6AB
Category 6A Patch Cord	HC6AB03
Category 6A Panel Replacement Adaptor	HP6AM6
Category 6A UTP Cable	C6ASRB

#### Online Resources

Customer Use Drawing  
eCatalog

