

Mounted Zone Cabling Enclosures and Brackets

Wall Mounted Bracket

Wall Mounted Bracket with Bottom Hinge

HUBBELL

Features

- Bottom hinging allows flip down access to rear of components
- Multiple cable management tie-off points
- Jumbo openings in the rear allow for cable routing



Ordering Information

Rack Units	Depth	Catalog Number	UPC Number
2	4"	HPWWB2U4	662620807690

Listings

EIA/ECA-310-E Universal Mounting Pattern

Specifications

Material	Cold rolled steel
Gauge	16
Finish	Black powder coat
Mount	#12-24 Threaded

Characteristics

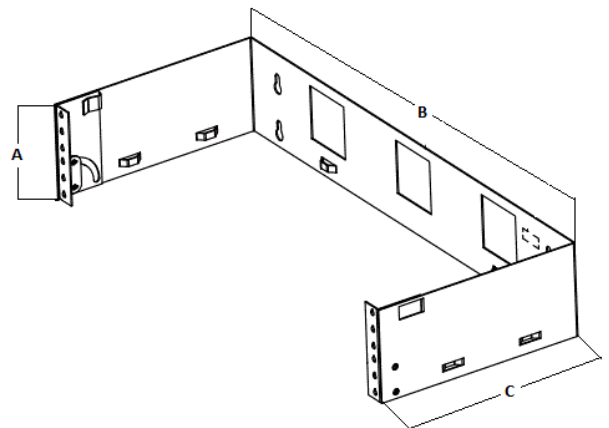
Access	Bottom Hinged
Load Capacity	25 lb
Rack Units	2

Accessories

Black Velcro Roll	HVFBK575
9" Velcro Strips, Yellow	MCCMV9YL10
#12-24 Screws	1224RRSCRW20

Online Resources

Customer Drawing
Customer Use Drawing
eCatalog



Dimensions- inches (mm)

A	3.5" (89)
B	19.1" (485)
C	4" (102)