

# Mounted Zone Cabling Enclosures and Brackets

## Wall Mounted Enclosure

### QuadCab Enclosure, 20" depth

# HUBBELL

#### Features

- Modular construction with mid-section to swing out to access rear installed equipment
- Modular backboard systems eliminates field engineering
- Distributing network equipment lessens heat load in the telecom room

#### Ordering Information

Height	Door Style	Catalog Number	UPC Number
36"	Acrylic Window	HSQ36	662620853161

#### Listings

EIA/ECA-310-E Universal Mounting Pattern

#### Specifications

Material	Cold rolled steel
Rear & Middle Gauge	14
Door Gauge	18
Door Type	Window
Rail Type	#12-24 Threaded
Finish	Black powder coat

#### Characteristics

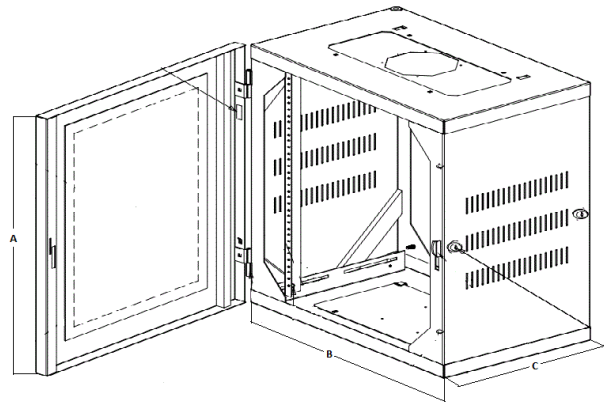
Access	Swing out center section
Load Capacity	406 lb
Rack Units	19

#### Accessories

1U Power strip	<b>HPWPWR</b>
1U Horizontal cable manager with cover	<b>HM14C</b>
2U Horizontal cable manager with cover	<b>HM24C</b>
Mobile Base	<b>HSQKMB20</b>

#### Online Resources

Customer Drawing  
Customer Use Drawing  
eCatalog



#### Dimensions- inches (mm)

A	36.4" (925)
B	22.6" (574)
C	20.3" (516)