

Grounding & Bonding Tooling HW Die Series

HUBBELL

Features

- Two piece die set for irreversible compression
- Die Index provides verification that the correct die was used to make the crimp
- Color coded dies match lug/tap die colors

Ordering Information

Description	UPC Number	Catalog Number
WCompression Dies, 0 Index	662620318837	HWO



Listings

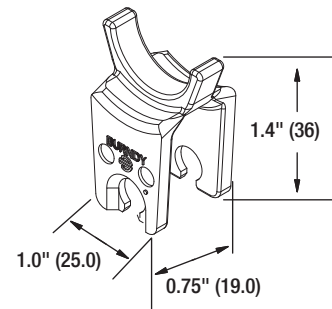
TIA-607 Compliant

Specifications

Material	Stainless Steel
----------	-----------------

Accessories

6 Ton Power Tool	HPAT600LI
Die Case	HWDIECASE
Manual Tool	HMD7



Resources

Customer Use Drawing

Grounding & Bonding Brochure

