

Grounding & Bonding
Compression Device
Heavy Duty Compression Lug

HUBBELL

Features

- HPW lugs are die index traceable when using a properly sized die for compression
- Heavy duty lugs are filled with antioxidant to ensure proper bond

Ordering Information

Gauge	Mounting	Catalog Number	UPC Number
1/0	1/2" ID, 1 3/4" Spaced	HYGHA25	662620331485

Listings

UL
TIA-607 Compliant

Specifications

Material	Copper
Surface Finish	Copper
Barrel	Heavy Duty
Inspection Window	Yes
Antioxidant	Filled

Characteristics

Die Index

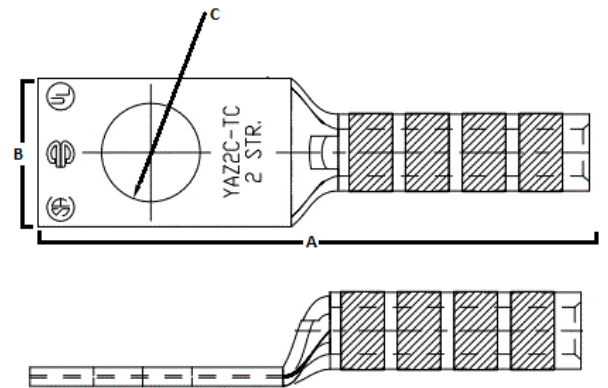
14 UL Listed

Accessories

Die	HU27RT
6 Ton Power Tool	HPAT600LI
12 Ton Power Tool	HPAT750LI
12' Conductor	HGRKTDA144D

Online Resources

Brochure
Customer Use Drawing
eCatalog



Dimensions- inches (mm)

A	4.6" (117)
B	0.9" (23)
C	1.75" (44)
D	0.6" (15)