

Grounding & Bonding Compression Device Heavy Duty Compression Lug

HUBBELL

Features

- HPW lugs are die index traceable when using a properly sized die for compression
- Heavy duty lugs are filled with antioxidant to ensure proper bond

Ordering Information

| Gauge | Mounting | Catalog Number | UPC Number |
|-------|------------------------|----------------|--------------|
| 3/0 | 1/2" ID, 1 3/4" Spaced | HYGHA27 | 662620331508 |

Listings

UL
TIA-607 Compliant

Specifications

| | |
|-------------------|------------|
| Material | Copper |
| Surface Finish | Copper |
| Barrel | Heavy Duty |
| Inspection Window | Yes |
| Antioxidant | Filled |

Characteristics

Die Index

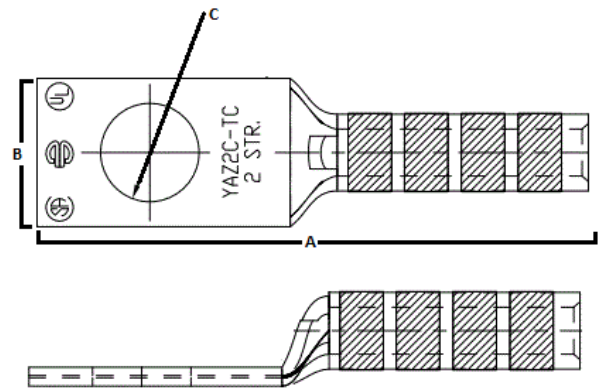
16 UL Listed

Accessories

| | |
|-------------------|------------|
| Die | HU29RT |
| 6 Ton Power Tool | HPAT600LI |
| 12 Ton Power Tool | HPAT750LI |
| 12' Conductor | HGRKTD144D |

Online Resources

Brochure
Customer Use Drawing
eCatalog



Dimensions- inches (mm)

| | |
|---|------------|
| A | 4.9" (124) |
| B | 1.1" (28) |
| C | 1.75" (44) |
| D | 0.6" (15) |