

Wallplate With Label Fields

Features

- Fits all Hubbell keystone connections (AV, data and fiber)
- Supplied with paper labels, clear and color match screw covers
- Secure; Requires removal to access connectivity

Ordering Information

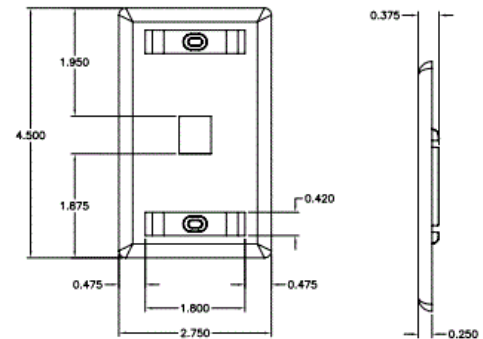
Description	Color	Catalog No.	UPC
IFP Wallplate with Label Fields, Single Gang, 1-Port	White	IFP11W	662620826363

Listings

UL and cUL Listed 1863
RoHS Compliant

Specifications

Plate Material High-impact thermoplastic (UL 94V-0)



Online Resources

[Customer Use Drawing](#)
[eCatalog](#)