

OptiChannel
**Duplex Fiber Patch Cords, High Density, Plenum
 MSFP to LC, Multimode, OM4**

HUBBELL

Features

- Precision Zirconia Ferrule, PC Polish
- 100% Tested, Heat Cured Epoxy Termination
- Available in Lengths 1 to 5, 6, 8, 10 meters
- Custom Lengths Quoted to Order

Ordering Information

Description	Cable Type	Catalog Number	UPC
Fiber Patch Cord, HD, Plenum, Duplex, Aqua MSFP to LC, OM4, 5M	Duplex Zipcord,	MSFPLC50G4M5	662620313030

Standards

TIA-568.3
 TIA-604-FOCIS
 Telcordia GR-326-CORE
 TIA-492AAAC (OM4, Bend Tolerant)
 ANSI/ICEA S-83-596
 TIA-598

Specifications

Overall Length	5 meters (16.41 ft)
Ferrule Material	Zirconia Ceramic
Cable Diameter	2.0 mm
Mated Pair Insertion Loss	< 0.50 dB (0.35 dB Typical)
Mated Pair Return Loss	> 26 dB
Polarity	A-B

Performance

Mechanical	
Mating Durability	500 Cycles, < 0.75dB
Minimum Bend Radius	25 mm (1.0 in.)
Operating Temperature Range	0C to 70C (32F to 158F)
Tensile Rating, Short Term	11.24 Lb (50 N)

Applications

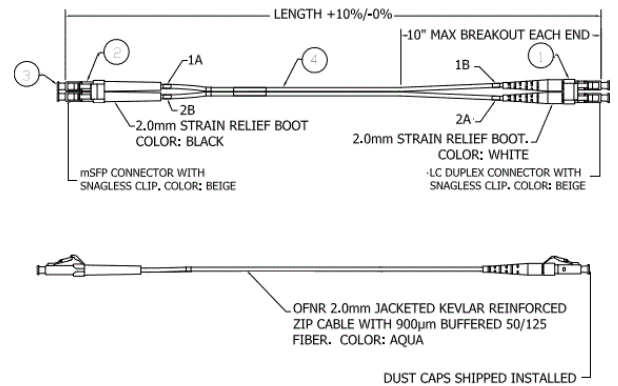
10 Gbps/25 Gbps Fiber Channel
 Backbone/Horizontal Distribution Interconnect
 Data Center Equipment Interconnect

Accessories

Fiber Microscope, 200X	OFSCOPE2
Fiber Cleaning Kit	OFCLEANKT1
Fiber Wipes Dispenser, 90 Sheets	OFWIPES90
Fiber Cleaning Fluid, 3 Oz.	OFCLEANER3OZ

Online Resources

eCatalog



ITEM NO.	DESCRIPTION	QTY.
1	LC DUPLEX CONNECTOR	1
2	mSFP CONNECTOR	1
3	DUST CAPS	4
4	FIBER CABLE	A/R