

netSELECT  
Network Modules  
Blank Module Plate

# HUBBELL

### Features

- Allows Mounting Of Active Components Or Other Devices in netSELECT Enclosures
- Secure Devices with Self-Tapped Holes or Two Self-Adhesive VELCRO® Strips Included
- Pre-mounted Push Pins Snap The Module Quickly Into Place



### Ordering Information

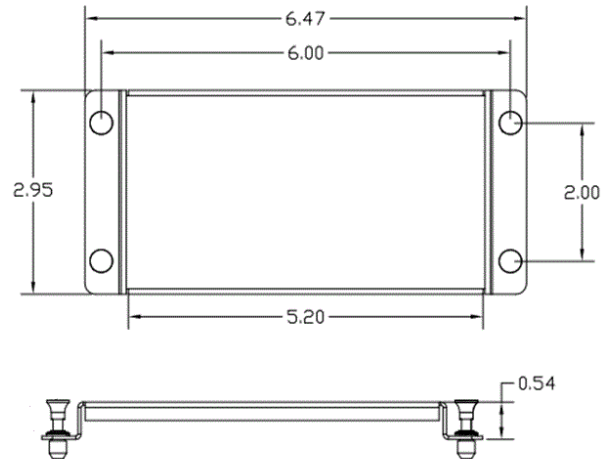
Description	Color	CatalogNumber	UPC
Blank Module Plate	Black	NSOBM	883778500244

### Listings

UL and cUL Listed  
RoHS Compliant

### Specifications

Housing Material	High Impact Thermoplastic UL 94 V-0
------------------	-------------------------------------



### Online Resources

Customer Use Drawing  
eCatalog