

NEXTSPEED

110 Connecting Block System

Factory Terminated Patch Cord

Features

- Plug Housing Includes Built-In Polarization to Ensure Proper Mating Connection to Connecting Blocks
- Angled Conductor Towers Separate Paired Conductors and makes Pair Splitting and Conductor Lacing Simple
- Cable Ties Secure Cable to Cover for Easy Termination and Strain Relief
- Clear Gray or Yellow Keeps Conductors Visible During and After Termination

Ordering Information

Description	Color	Catalog Number	UPC
NEXTSPEED Factory Terminated Patch Cord, 110 to RJ45 (T568B), 12 Feet	Yellow	PC119C5EL12	662620836065

Listings

Exceeds TIA/EIA-568-C.2-1 Category 6 connecting hardware specifications
 100% factory tested to meet ANSI/TIA/EIA Category 6 and 5E connecting hardware specifications

Specifications

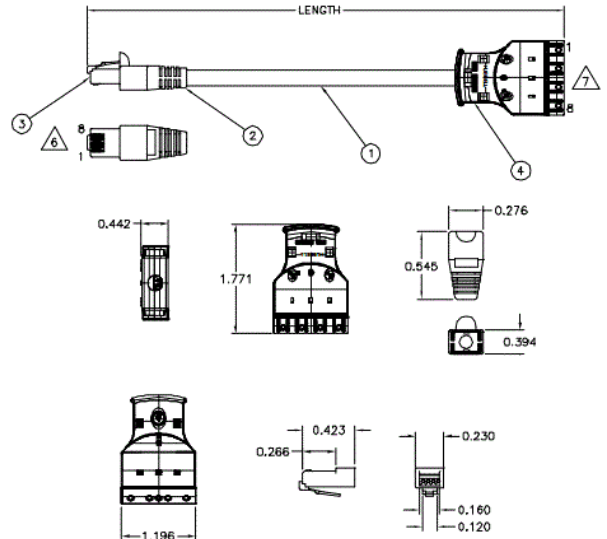
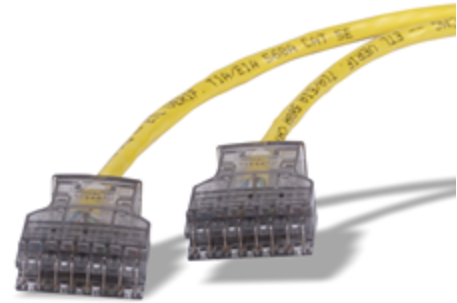
Material	Polycarbonate UL 94V-0
----------	------------------------

Performance

Electrical

Terminates 24 to 26 AWG solid or 7-strand twisted-pair cable

HUBBELL



Accessories

Field Terminated Patch Plug

6110FPP4PR

Online Resources

[eCatalog](#)

