

Raceway  
Non-Metallic Raceway  
PL1 LANTrak® (Latching) End Cap

# HUBBELL

## Features

- For closing end of raceway

## Ordering Information

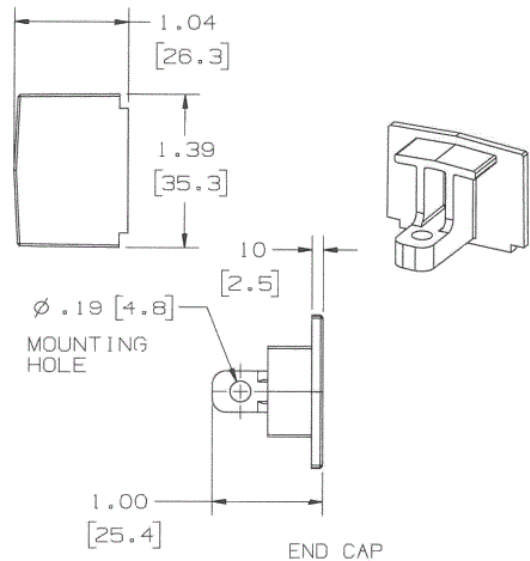
Description	Color	UPC Number	Catalog Number
End Cap	Office White	783585090252	PL1EC

## Listings

UL Listed  
CSA Certified

## Specifications

Height	1.00"
Width	1.39"
Length	1.04"



## Online Resources

Customer Use Drawing  
eCatalog  
Installation Instructions