

Raceway
Non-Metallic Raceway
PL1 LANTrak® (Latching) External Elbow
Base and Cover

HUBBELL

Features

- Full capacity 1¼ in. bend radius external elbow.

Ordering Information

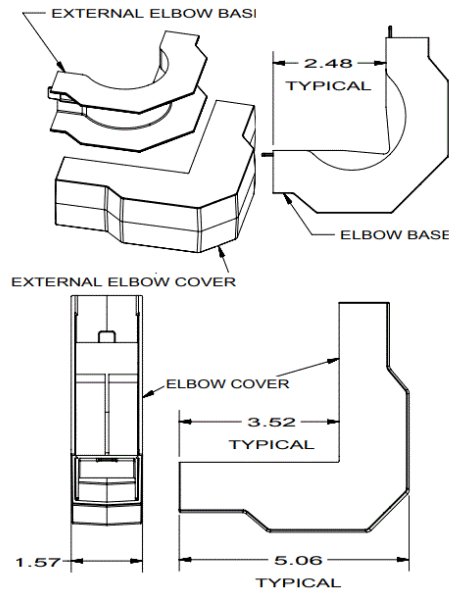
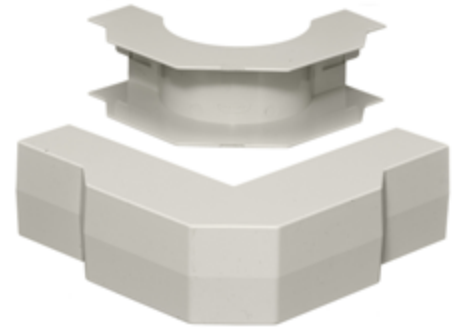
Description	Color	UPC Number	Catalog Number
External Elbow Base and Cover	Office White	783585090269	PL1EEBC

Listings

UL Listed
CSA Certified

Specifications

Height	1.57"
Width	5.06"
Length	5.06"



Online Resources

Customer Use Drawing
eCatalog
Installation Instructions