

Raceway  
Non-Metallic Raceway  
PL1 LANTrak® (Latching) Flat Elbow Base  
and Cover

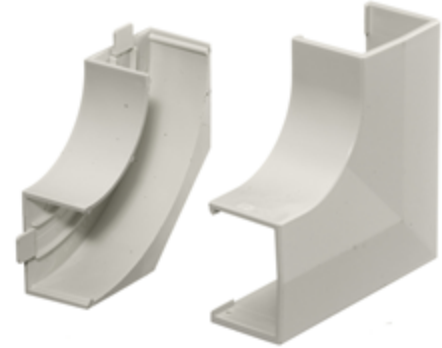
# HUBBELL

### Features

- Full capacity 1¼ in. bend radius flat elbow.

### Ordering Information

Description	Color	UPC Number	Catalog Number
Flat Elbow Base and Cover	Office White	783585090276	PL1FEBC

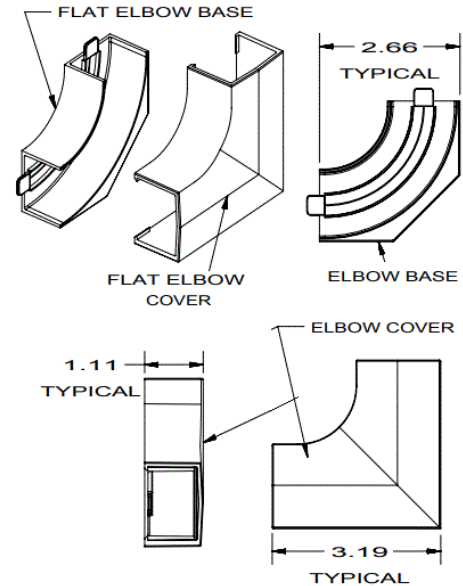


### Listings

UL Listed  
CSA Certified

### Specifications

Height	1.11"
Width	3.19"
Length	3.19"



### Online Resources

Customer Use Drawing  
eCatalog  
Installation Instructions