

**Raceway**  
**Non-Metallic Raceway**  
**PW2 WallTrak® (Latching) Flat Elbow Cover**

# HUBBELL

**Features**

- Full capacity 1¼ in. bend radius external elbow.

**Ordering Information**

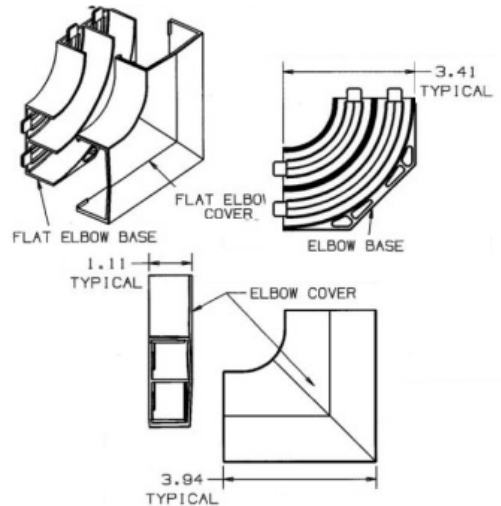
Description	Color	UPC Number	Catalog Number
Flat Elbow Cover	Office White	783585090672	PW2FE

**Listings**

UL Listed  
 CSA Certified

**Specifications**

Height	2.62"
Width	0.85"
Length	2.62"



**Online Resources**

Customer Use Drawing  
 eCatalog  
 Installation Instructions