

# SystemOne Flush Sub-Plate

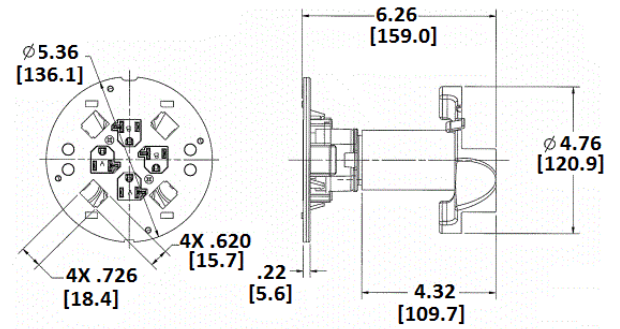


## Features

- Used with automatic receptacle control systems
- Adhesive stickers provided
- Black Powder Coated

## Ordering Information

- Includes necessary mounting hardware



Catalog Number	UPC	Description
S1SP4X4PAC	783585545592	Sub-plate with 4 pre-wired 20A receptacles (18 inch leads) and openings for 4 Panduit jacks

## Standards

cULus Listed

## Online Resources

eCatalog