

# SystemOne Flush Sub-Plate

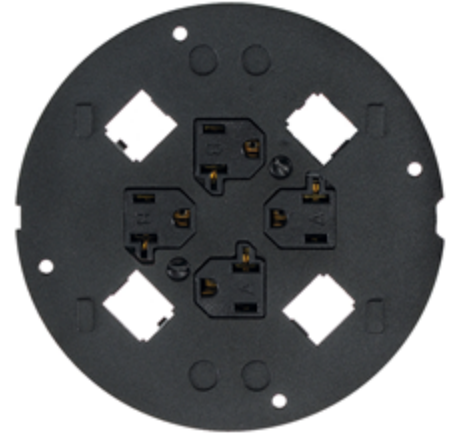
# HUBBELL

## Features

- Black Powder Coated

## Ordering Information

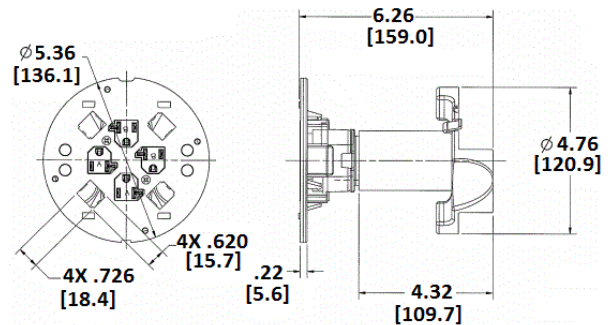
- Includes necessary mounting hardware



| Catalog Number | UPC          | Description   |
|----------------|--------------|---|
| S1SP4X4PA      | 783585371214 | Sub-plate with 4 pre-wired 20A receptacles (18 inch leads) and openings for 4 Panduit jacks |

## Standards

cULus Listed



## Online Resources

eCatalog