

SystemOne Flush Sub-Plate

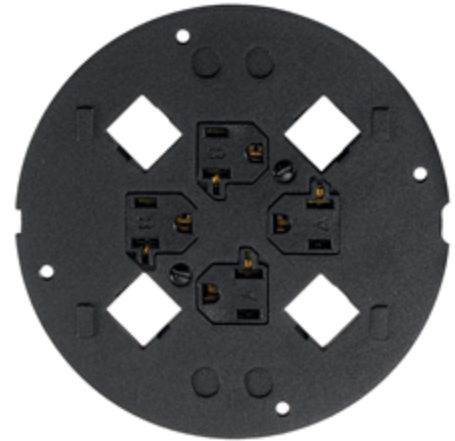


Features

- Black Powder Coated

Ordering Information

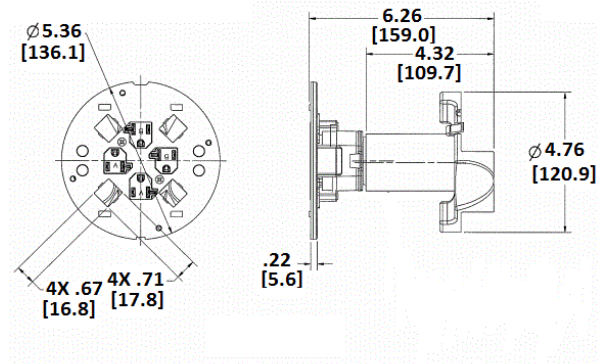
- Includes necessary mounting hardware



Catalog Number	UPC	Description
S1SP4X4SYS	783585371221	Sub-plate with 4 pre-wired 20A receptacles (18 inch leads) and openings for 4 Systemmax jacks

Standards

cULus Listed



Online Resources

eCatalog